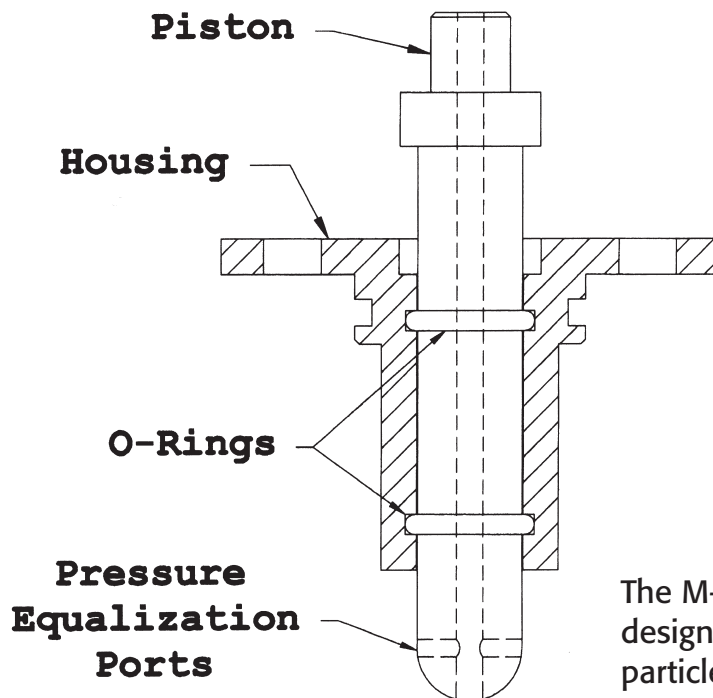


# MAG-TEK™

## Model M-6T Sphere Detector Switch For Non-Lubricated and/or Dirty Service

WeamcoMetric now offers a Mag-Tek Prover Sphere Detector Switch designed specifically for product service with non-lubricating properties and dirty services containing abrasives such as rust and other foreign particles.



The M-6T has a unique pressure-balanced piston design that has a washing action to keep foreign particles away from the switch area.

The Model M-6T is designed with two Teflon O-Rings located in the housing. These act as guides for the piston while preventing foreign particles such as rust to gall the piston surface during actuation. The piston has center drilled pressure equalization ports which stabilize operation and create a washing action throughout the switch area thus keeping foreign particles flushed out. This unique flow/suction action keeps the piston-to-switch area clean which is a valuable asset in non-lubricated and dirty service applications.

**With technology derived from the World Renowned MAG-TEK™ Model M-5 detector switch, you can expect years of reliable maintenance free service.**



Class I, Division 1,  
Groups C and D  
Hazardous Locations.

Patent No.  
US 6,789407 B1



(918) 445-1141

(800) 331-3790

Fax: (918) 445-4617

[www.weamco.com](http://www.weamco.com)

Bulletin M6T307

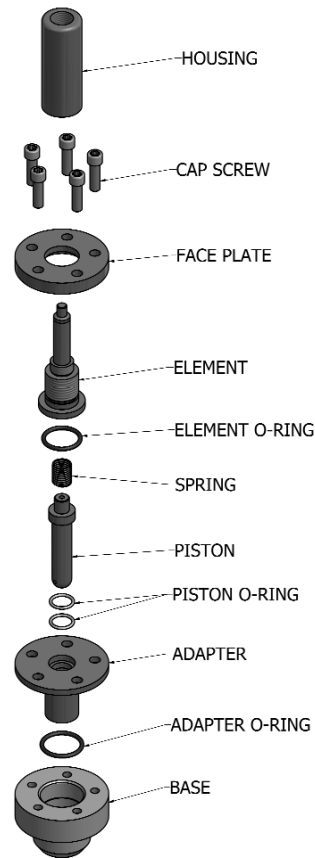
## Model M-6T Sphere Detector Switch Specifications

### Switch Element

CONTACT:	Environmentally Sealed
RATING:	2 Amps @ 240 V.A.C. 50 Milliamps @ 24 V.D.C.
RESPONSE TIME:	0.008 Seconds
TEMPERATURE:	-40 F to +221 F
PRESSURE RATING:	2220 PSIG
REPEATABILITY:	0.002" (Under identical operating conditions)

### Switch Enclosure

WELD-ON BASE PLATE:	Carbon Steel
SPRING:	302 Stainless
PISTON:	416 Stainless
BODY:	303 Stainless
O-RING:	Viton
CONDUIT OPENING:	1/2" N.P.T.
SWITCH TERMINATION:	Labeled Leads



## ADAPTERS TO FIT MOST MOUNTING CONFIGURATIONS



PECO/SMITH  
MALONEY



MODERN



MAINTENANCE  
MECHANICAL



KIDD



METER  
ENGINEERS

Also Available - Halmor, Older Smith & Custom Adapters

#### HOW TO ORDER:

1. Quantity
2. Pipe Size
3. Wall Thickness
4. Contact SPDT or DPDT

#### For Adaptors:

Please contact our office for the proper dimensions sheet to verify your application.



(918) 445-1141

(800) 331-3790

Fax: (918) 445-4617

[www.weamco.com](http://www.weamco.com)