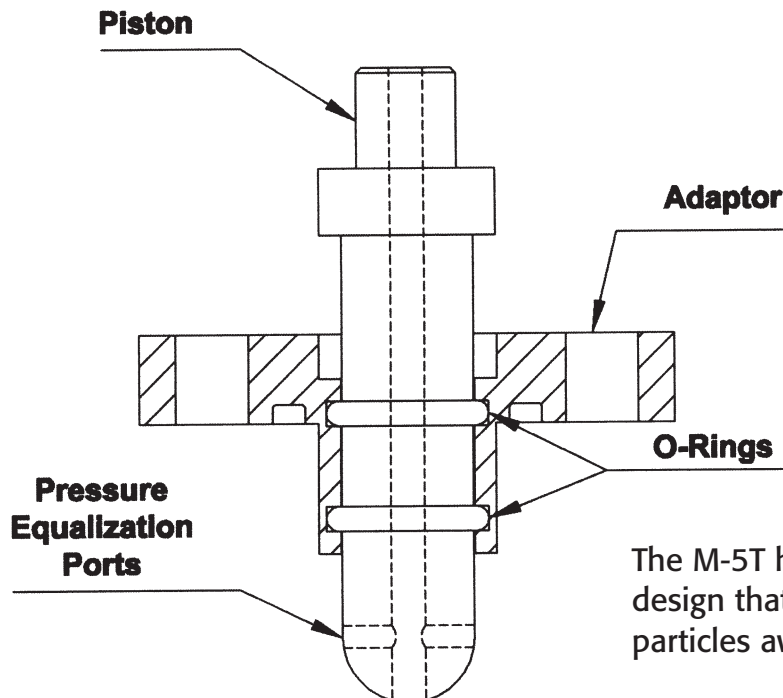


MAG-TEK™

Model M-5T Sphere Detector Switch For Non-Lubricated and/or Dirty Service

WeamcoMetric now offers a Mag-Tek Prover Sphere Detector Switch designed specifically for product service with non-lubricating properties and dirty services containing abrasives such as rust and other foreign particles.



The M-5T has a unique pressure-balanced piston design that has a washing action to keep foreign particles away from the switch area.

The Model M-5T is designed with two Teflon O-Rings located in the housing. These act as guides for the piston while preventing foreign particles such as rust to gall the piston surface during actuation. The piston has center drilled pressure equalization ports which stabilize operation and create a washing action throughout the switch area thus keeping foreign particles flushed out. This unique flow/suction action keeps the piston-to-switch area clean which is a valuable asset in non-lubricated and dirty service applications.

With technology derived from the World Renowned MAG-TEK™ Model M-5 detector switch, you can expect years of reliable maintenance free service.



Class I, Division 1,
Groups C and D
Hazardous Locations.

NRTL/C

Patent No.
US 6,789,407 B1



(918) 445-1141

(800) 331-3790

Fax: (918) 445-4617

www.weamco.com

Bulletin M5T 307

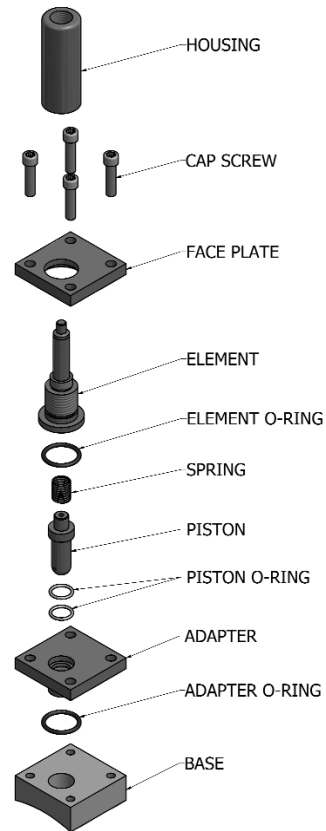
Model M-5T Sphere Detector Switch Specifications

Switch Element

| | |
|------------------|--|
| CONTACT: | Environmentally Sealed |
| RATING: | 2 Amps @ 240 V.A.C. 50 Milliamps @ 24 V.D.C. |
| RESPONSE TIME: | 0.008 Seconds |
| TEMPERATURE: | -40 F to +221 F |
| PRESSURE RATING: | 2220 PSIG |
| REPEATABILITY: | 0.002" (Under identical operating conditions) |

Switch Enclosure

| | |
|---------------------|---------------|
| WELD-ON BASE PLATE: | Carbon Steel |
| SPRING: | 302 Stainless |
| PISTON: | 416 Stainless |
| BODY: | 303 Stainless |
| O-RING: | Viton |
| CONDUIT OPENING: | 1/2" N.P.T. |
| SWITCH TERMINATION: | Labeled Leads |



ADAPTERS TO FIT MOST MOUNTING CONFIGURATIONS



PECO/SMITH
MALONEY



MODERN



MAINTENANCE
MECHANICAL



KIDD



METER
ENGINEERS

Also Available - Halmor, Older Smith & Custom Adapters

HOW TO ORDER:

1. Quantity
2. Pipe Size
3. Wall Thickness
4. Contact S.P.D.T. or D.P.D.T.

For Adaptors:

Please contact our office for the proper dimension sheet to verify your application.



(918) 445-1141

(800) 331-3790

Fax: (918) 445-4617

www.weamco.com