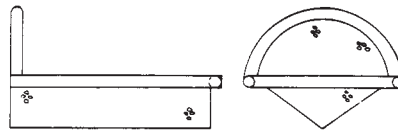
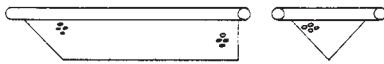
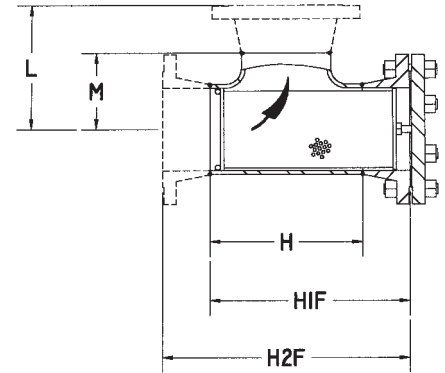
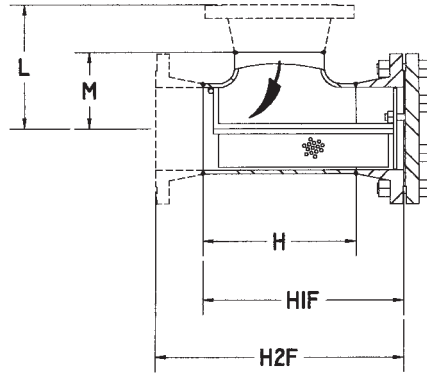
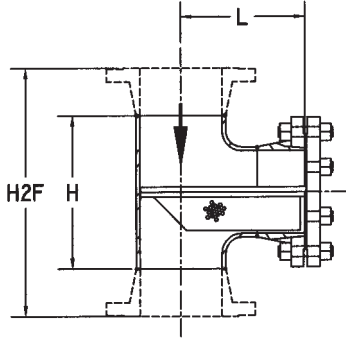
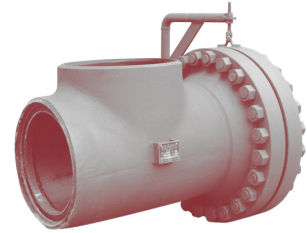
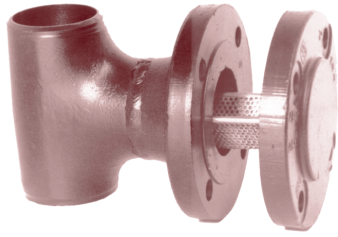


Tee Strainers



TYPE TSW (Weld Inlet & Outlet)
 TYPE TSF (Flanged Inlet & Outlet)
 TYPE TSFI (Flanged Inlet, Weld Outlet)
 TYPE TSFO (Weld Inlet, Flanged Outlet)

TYPE TLW (Weld Inlet & Outlet)
 TYPE TLF (Flanged Inlet & Outlet)
 TYPE TLFI (Flanged Inlet, Weld Outlet)
 TYPE TLFO (Weld Inlet, Flanged Outlet)

TYPE TVW (Weld Inlet & Outlet)
 TYPE TVF (Flanged Inlet & Outlet)
 TYPE TVFI (Flanged Inlet, Weld Outlet)
 TYPE TVFO (Weld Inlet, Flanged Outlet)

PIPE SIZE	H	M	150#			300#			600#			PIPE SIZE
			L	H1F	H2F	L	H1F	H2F	L	H1F	H2F	
2	5	2 1/2	5	7	10	5 1/4	7 3/4	10 1/2	5 5/8	8 1/8	11 1/4	2
3	6 3/4	3 3/8	6 1/8	9 1/2	12 1/4	6 1/2	9 7/8	13	6 7/8	10 1/4	13 3/4	3
4	8 1/4	4 1/8	7 1/8	11 1/4	14 1/4	7 1/2	11 5/8	15	8 3/8	12 1/2	16 3/4	4
6	11 1/4	5 5/8	9 1/8	14 3/4	18 1/4	9 1/2	15 1/8	19	10 1/2	16 1/8	21	6
8	14	7	11	18	22	11 3/8	18 3/8	22 3/4	12 1/2	19 1/2	25	8
10	17	8 1/2	12 1/2	21	25	13 1/8	21 5/8	26 1/4	14 3/4	23 1/4	29 1/4	10
12	20	10	14 1/2	24 1/2	29	15 1/8	25 1/8	30 1/4	16 3/8	26 3/8	32 3/4	12
14	22	11	16	27	32	16 5/8	27 5/8	33 1/4	17 3/4	28 3/4	35 1/2	14
16	24	12	17	29	34	17 3/4	29 3/4	35 1/2	19 1/4	31 1/4	38 1/2	16
18	27	13 1/2	19	32 1/2	38	19 3/4	33 1/4	39 1/2	21	34 1/2	42	18
20	30	15	20 11/16	35 11/16	41 3/8	21 3/8	36 3/8	42 3/4	22 3/4	37 3/4	45 1/2	20
24	34	17	23	40	46	23 5/8	40 5/8	47 1/4	25 1/4	42 1/4	50 1/2	24

Dimensions in inches and are based on standard weld tee with raised face or ring joint weld neck flanges. Standard weight tee and W.N. bore for 150# and 300#. Extra strong tee and W.N. bore for 600#, 400#, 900#, 1500#, 2500# in RF/FF/RJ and other facings available. Blind flange can be taped for blowdown. Quick opening closures available on any type or rating tee strainer. Advise pipe schedule or wall thickness required for higher pressure applications.

INFORMATION REQUIRED

- Quantity
- Line Size
- Flange rating & Face
- Weamco type
- Housing material *
- Housing Pipe Schedule
- Basket material *
- Mesh liner if required
- Additional Features

*Carbon Steel is standard. Other materials are available.

EXAMPLE: 2 - 6" 300# RF WEAMCO type TSF, C.S. housing,
 Std. Wt. 304 SS basket, 1" NPT blowdown

Standard Basket - Perforated 1/8" Diameter holes on 3/16" Centers
 (Other Patterns, wire mesh and liners available,
 see WEAMCO Bulletin AC 303 or Consult Factory)



(918) 445-1141

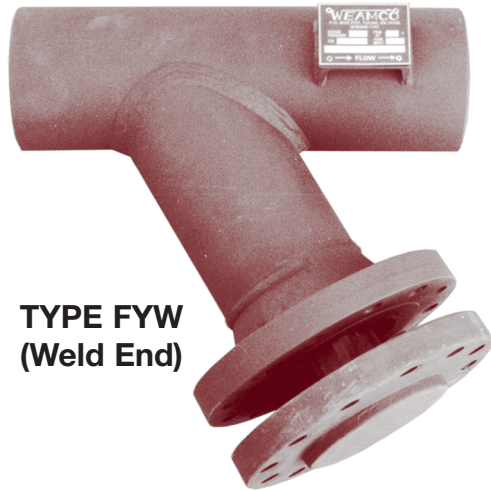
(800) 331-3790

Fax: (918) 445-4617

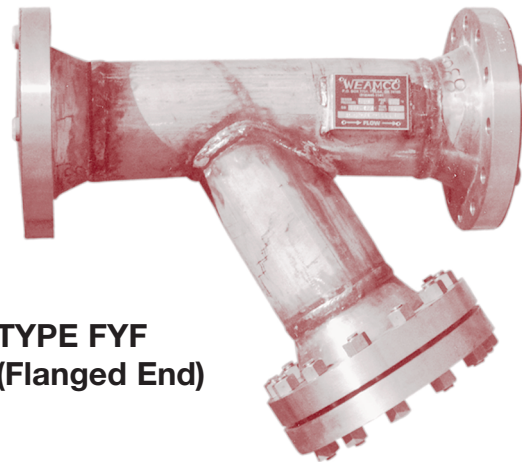
www.weamco.com

Bulletin TEE303

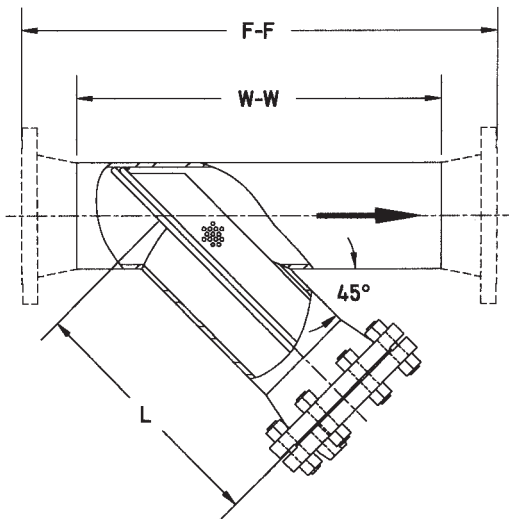
"Y" Strainers



**TYPE FYW
(Weld End)**



**TYPE FYF
(Flanged End)**



SIZE	O.D.	TYPE FYW	TYPE FYF	L	BLOWDOWN (NPT)
		W-W	F-F		
4	4 1/2	18 1/2	26	12	3/4
6	6 5/8	20 1/4	30	16	3/4
8	8 5/8	26	37	20	1
10	10 3/4	33 1/2	46	23	1
12	12 3/4	38 1/4	51	26	1 1/2
14	14	42 1/2	56	29	1 1/2
16	16	47 1/2	62	32	1 1/2
18	18	53	68	36	1 1/2
20	20	57 1/2	73	39	2
24	24	63 1/2	80	43	2

Larger sizes on application

Dimensions are in inches.

WEAMCO "Y" Strainers can be fabricated from any commercially available pipe including carbon steel, low and intermediate alloy steels and stainless steel. The F-F dimensions shown for the Type FYF Strainer is applicable for any flange rating or facing 150# ANSI thru 300# ANSI. Higher pressures on application. Special Dinemsions available to match your piping requirements.

INFORMATION REQUIRED

1. Quantity
2. Line Size
3. Weamco type
4. Flange Rating and Face
5. Housing material *
6. Housing Pipe Schedule
7. Basket material *
8. Mesh liner if required
9. Additional Features

*Carbon Steel is standard. Other materials are available.

EXAMPLE: 2 – 6" 300# RF WEAMCO type FYW, C.S. housing,
Std. Wt. 304 SS basket, 1" NPT blowdown, 300# R.F.

Standard Basket – Perforated 1/8" Diameter holes on 3/16" Centers
(Other Patterns, wire mesh and liners available,
see WEAMCO Bulletin AC 303 or Consult Factory)



(918) 445-1141
(800) 331-3790

Fax: (918) 445-4617

www.weamco.com

Bulletin FY303