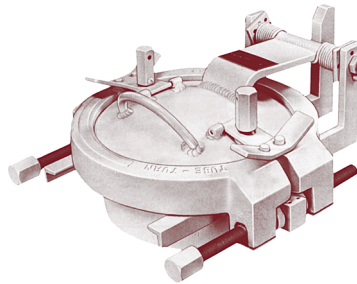


Optional Accessories

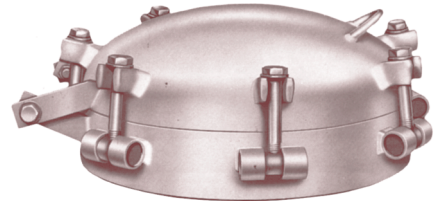
For Permanent Strainers



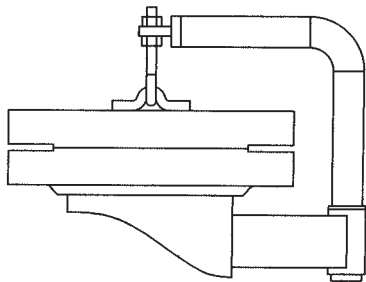
Threaded Quick Opening Closure



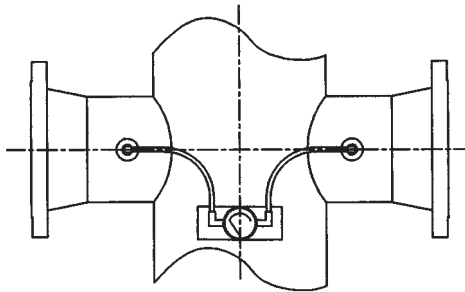
Double Bolt Quick Opening Closure



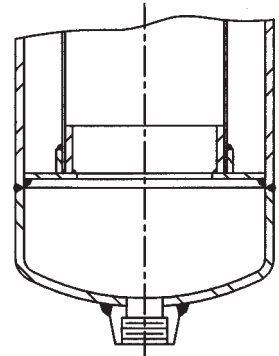
Swing Bolt Quick Opening Closure



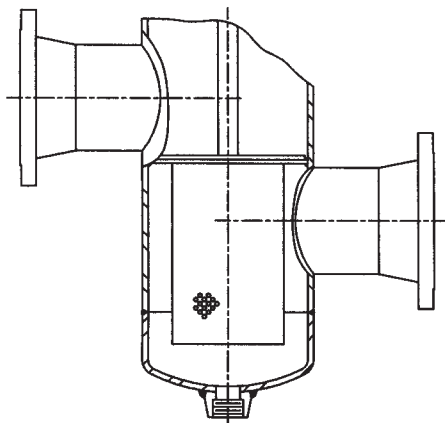
Davit for Blind Flange



Differential Pressure Connections and Gauges or Switches



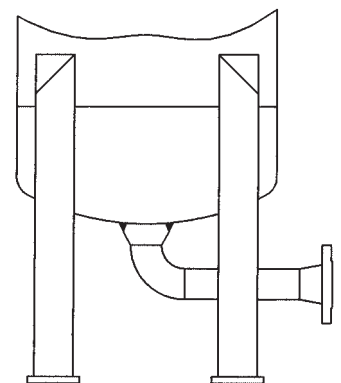
Blowdown Basket



Flat Top Basket Offset Nozzles



Side Drains



Legs or Base Skirt

Drain, vent, differential pressure etc., can be furnished threaded or flanged.

Any manufacturer's closures may be used subject to requirements and availability. THE ABOVE ILLUSTRATIONS COVER THE MORE POPULAR FEATURES. MANY OTHER DESIGN CONFIGURATIONS CAN BE OFFERED.



(918) 445-1141

(800) 331-3790

Fax: (918) 445-4617

www.weamco.com

Bulletin OA303